

# STAIR RAIL SUPPORTS

## Adjustable height stair rail supports

### FEATURES

- Adjustable height 33in to 47.5in (840mm to 1200mm)
- Swivel bracket for easy handrail fixing
- 2.5in (65mm) swan neck design for safer handhold
- 8in x 2.75in (70mm x 200mm) base plate for solid stair tread fixing
- High-quality all-steel construction
- The handrail can be set to the desired height and angle required
- It can be fitted to go around corner or half landings
- Can be fixed and removed with minimal damage



### **Where a stud wall, or weak wall surface, prevents safe attachment of a stair handrail, our stair rail supports provide an alternative fixing solution.**

Fixing firmly to the stair tread, the stair rail support is attached to the handrail via a swivel bracket. It suits all stair gradients and can also be fitted around corners and half landings.

Being height adjustable, the stair rail support can support people of all heights and weights. Its unique swan neck design also prevents hands from being pinched against the wall.

Simple to install and remove, stair rail supports from Ramps For Access minimise disruption to the home. They're also easy to store and refurbish for reuse, helping budgets go further and making them kinder to the environment.

Contact us to find the best solution for you

Here to help you

01225 811 455

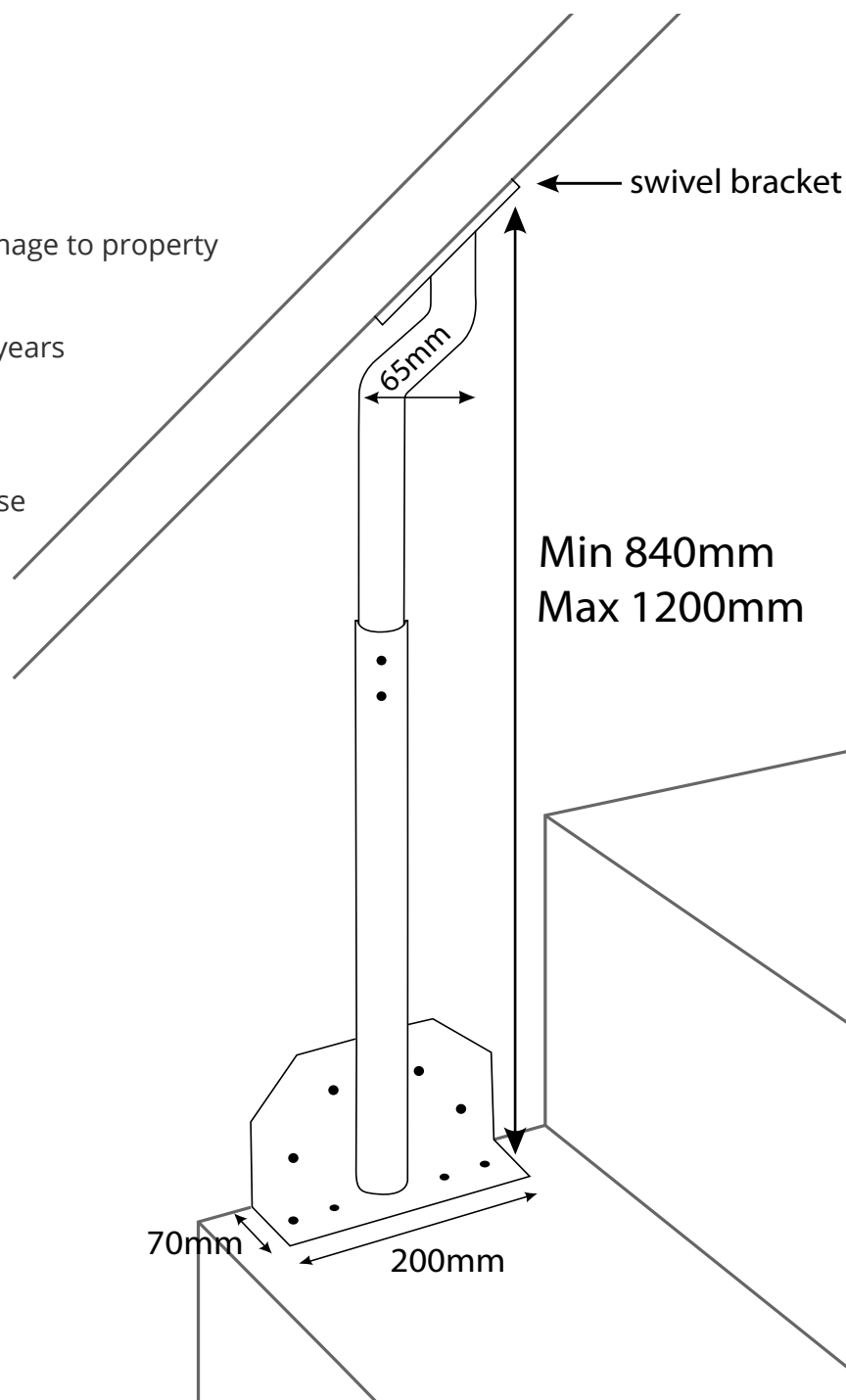
# STAIR RAIL SUPPORTS

## Adjustable height stair rail supports



### BENEFITS

- Quick and easy to fit
- Fitted and removed without any damage to property
- Economical
- A tried and proven product over 15 years
- More than 30,000 sold in the UK
- Height adjustable
- Fits any staircase or around the house



Here to help you